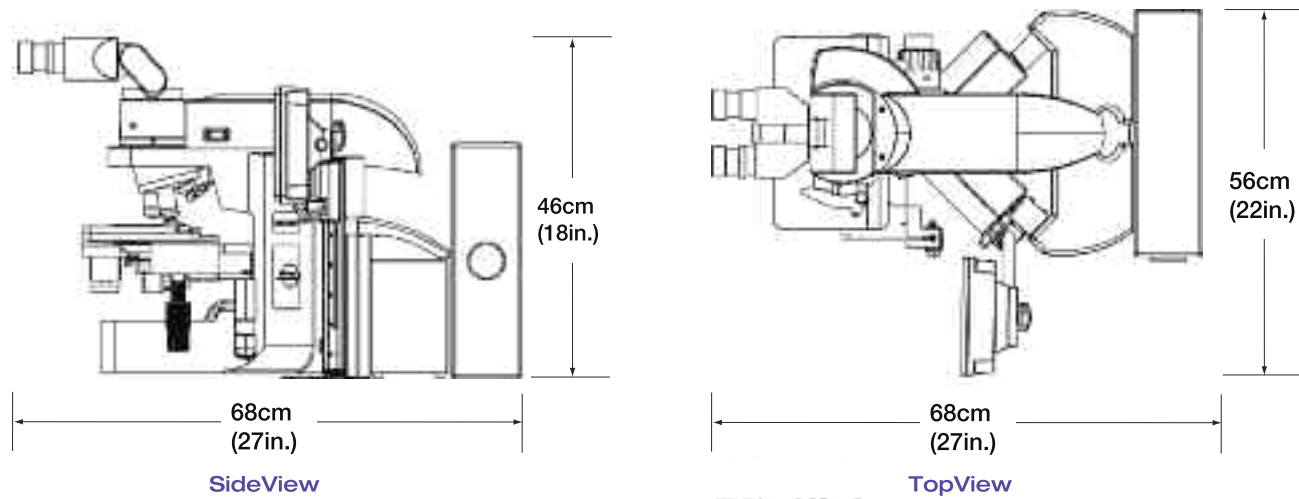


## Specifications

### ThinPrep® IntegratedImager



<b>Dimensions</b>	56cm/22"(W) 46cm/18"(H) 68cm/27"(D)
<b>Weight</b>	31 kg/68lbs
<b>OperatingTemperature</b>	16°–32°C/60°–90°F

<b>OperatingHumidity</b>	20%–80%RH non-condensing
<b>ElectricalVoltage</b>	100–120V/220–240V singlephase
<b>Frequency</b>	50–60Hz+/-10%

Forfullproductdetailsandpurchasingenquiriespleasecontact:



**Triviron Healthcare Private Limited,**  
No.15 IV Street, Abhiramapuram, Chennai 600 018, Tamil Nadu, India.  
Ph: +91 - 44 - 2498 5050 (6 lines)  
Web: www.triviron.com | Email : groupmarketing@triviron.com

[www.hologic.com](http://www.hologic.com)  
[www.thinprep.com](http://www.thinprep.com)



## TheIntegratedImager



# Combines Proven ThinPrep® Imaging Technology and Slide Review into a Single Device

## Imaging

- Each slide is imaged in approximately 90 seconds
- Every cell and cell cluster on the slide is scanned
- Coordinates of the top 22 largest and darkest objects are identified and stored.

## Review

- Behaves as an automated microscope, presenting the 22 fields of view (FOVs)
- Dual review process combines human expertise with the power of computer imaging to deliver a superior solution for your lab
- If abnormal cells are identified, the entire slide must be reviewed
- If the 22 FOVs are normal, slide can be signed out as negative
- By concentrating on abnormal cases, the cytotechnologist (CT) can screen more efficiently.



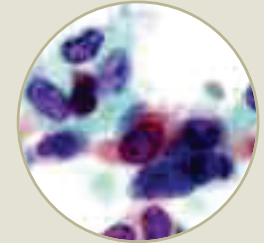
## Added Convenience

- The review scope can be used as a conventional microscope saving valuable bench space
- User-friendly touch screen and ergonomic stage and review controls
- Automated fiducial mark alignments save time and increase accuracy
- Automated post-scan functional checks to ensure integrity of data

## The ThinPrep® Stain

### For the Imaging System:

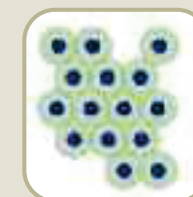
- Visually similar to other Papanicolaou stains
- Preformulated to reduce variability associated with mixing
- Optimized for use with the ThinPrep Imaging System



## ThinPrep Imaging Algorithm

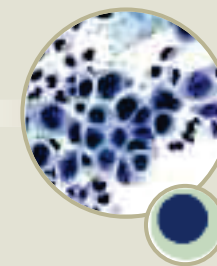


Overlapping nuclei that might appear "big and dark" are weeded out

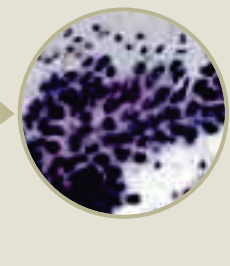


The system looks for nuclei in clusters that may represent either glandular or endocervical cells

### NORMAL



### ABNORMAL



## Autolocate

Presents all 22 FOVs in "geographical" order

- Ensures screening vigilance
- Allows CT to focus on diagnostic interpretation rather than location
- Minimizes stage movements

## Autoscan

Option to review the entire slide in one of three modes:

- Automatic Start/Stop** moves within and between rows automatically at user defined speed
- Semiautomatic Start/Stop** moves forward automatically based on prompts from the user
- Manual+** is controlled by the user with one touch but moves automatically between rows

## Workflow

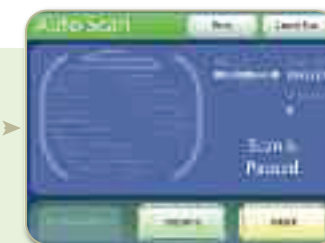


Identifying 22 FOVs



ABNORMAL

NORMAL



Sign out case

Sign out case